

i5T4-RW-28

NDA/TAA
Compliant product

K VISION

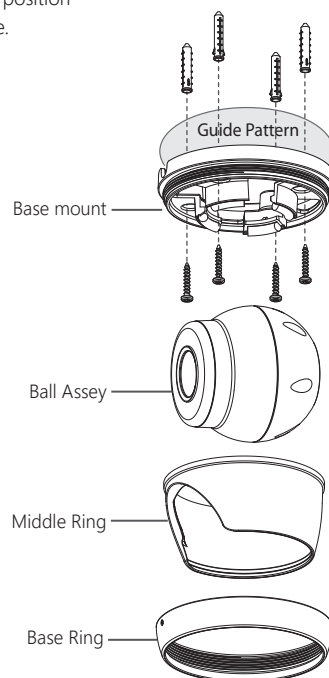
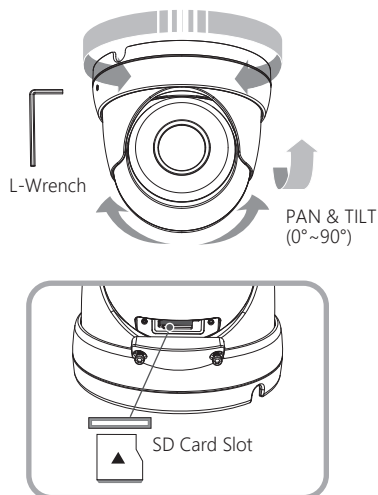


*MAGIC IP H.265 ONVIF

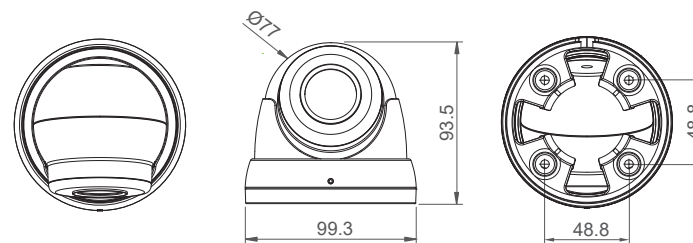
- 5MP (2592x1944), Triple Stream
- Video Encoding H265/ H264
- 2.8mm Fixed lens
- Hi-power LED 2pcs (IR Range 20M)
- 0.05 Lux(Color), 0 Lux(B/W)@IR On
- WDR, 3D DNR, Intelligent Video function
- 2way Audio(G711U/G711A), Alarm, Sensor
- Built in SD card slot
- IP67, Easy Installation

INSTALLATION

- Place the camera base mount at the pre-drilled installation position and route the power/network cable to the connecting place.
- Fix the base mount by using mounting screws.
- Attach the ball assey and rings
- Adjust the camera's viewing angle (Pan, Tilt)
- Tighten screws with L-wrench to fix the camera.



DIMENSIONS (mm)



SPECIFICATIONS

Image Sensor	1/2.8" SONY Progressive CMOS	
Effective Pixels	2592(H) x 1944(V), 5MP	
Min. Illumination	Color 0.05 Lux@F1.2 (AGC On), B/W 0 Lux@IR On	
Lens	2.8mm Fixed lens	
Angular Field of View	Horizontal: 97°, Vertical: 71°, Diagonal: 129°	
LED	Hi-power 2pcs (IR Range 20M)	
Video Compression	H.265 / H.264	
Video Bit rate	8Kbps~8Mbps	
Bit rate Control	CBR / VBR	
Resolution	Main Stream	5MP(2592*1944), 4MP(2592*1520), 3MP(2304*1296), 1080P, 960P, 720P@30fps
	Sub Stream	720P(1280*720), VGA(640*480), QVGA(320*240)@30fps
	Mobile Stream	VGA(640*480), QVGA(320*240)@30fps
Day & Night	IR cut filter with auto switch (Day/Night/Auto/Schedule)	
Shutter speed	Auto / Manual (1/2~1/20000s)	
Function	3DNR, WDR(120dB), Motion Detection, BLC, Privacy Mask, Flip, Saturation, Brightness, Hue, Contrast, Sharpness, Slow Shutter speed, Flick Control, Defog, Smart IR Control	
Intelligent Video (AI)	FD, PD&VD, PID, LCD, SOD, CC, HM, CD, QD, LPD, RSD	
Security	IP address filter; complicated password; Authenticated username and password	
Protocol	TCP/IP, HTTP, DHCP, DNS, DDNS, RTP/RTSP, SMTP, NTP, UPnP, SNMP, HTTPS, FTP	
ONVIF	ONVIF (Profile S/G/T)	
Interface	RJ45 (10/100BASE-T)	
SD Storage	Micro SD slot, up to 256GB	
Audio in/out	1 Input(RCA), 1 Output(RCA) / G711A, G711U	
Alarm / Sensor / PoE	Support	
Power Supply	DC12V / PoE (IEEE802.3af, Class 3)	
Temperature/Humidity	Operating (-30~ +55°C), Storage (-30~ +60°C, less than 95% RH)	