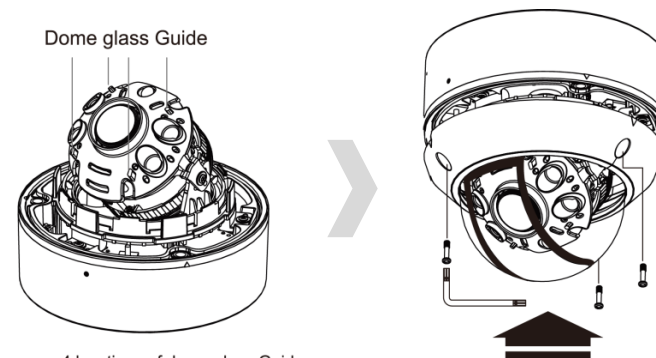


EX-SDI 2MP + Starvis

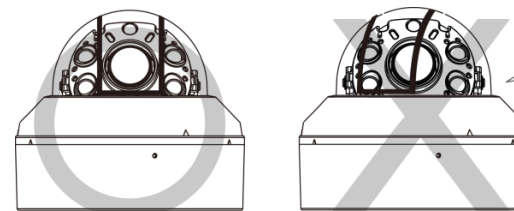
Anti-reflection | IP68 | Easy | Ceiling | Wall | Outdoor | IR 04

Resolution	1080P, 720P
Lens	Fixed lens 3.6mm, 4mm, 6mm / V/F Lens 2.8~8mm, 2.8~12mm, 3.5~16mm
Sensor	1/2.8 inch SONY CMOS (IMX-291)
Pixels	Total : 1945(H) x 1109(V) = 2.16M / Effective : 1945(H) X 1097(V) = 2.13M
Scanning System	PROGRESSIVE
S/N (Y signal)	More than 52 dB (AGC Off)
Video Output	SMPTE292M (EX-SDI, HD-SDI) / (TVI, CVI, CVBS: 1.0Vp-p (75ohm) : Option)
Min. Illumination	0 Lux at IR On (IR LED 04)
White Balance	Auto / Auto Ext / Preset / Manual
Electronic shutter speed	AUTO / MANUAL (1/30sec ~ 1/30,000sec) / FLICKER
Function	DNR / ACE / WDR / BLC / HLC / Sens_up / Privacy / Flip / Motion / Defog / RS-485 / Sharpness / Smart IR / Brightness
Day & Night	AUTO (Day <-> Night TIME Change) , COLOR , B/W, EXTERN
Language	ENG, CHN, CHN(S), JPN, KOR
Temperature/Humidity	Operating (-10°C~+50°C / 30%~80% RH) / Storage (-20°C~+60°C / 20%~90% RH)
Power	DC12V [AC24V / DC12V DualPower (option)]
signal Transmission	The distant difference is occurred according to cable option and other circumstances. (based on 5C-HFBT : HD-SDI (200M) / EX-SDI (500M))



There are 4 locations of dome glass Guide in IR cover. You must close the cover to suit deco direction of dome glass to Guide.

Use the allen wrench to close the cover.



Right Assembly

Wrong Assembly

If the combination of the hemisphere is wrong, the diffuse reflection may occur. Please check the combination direction of Hemisphere if the diffuse reflection occurs.