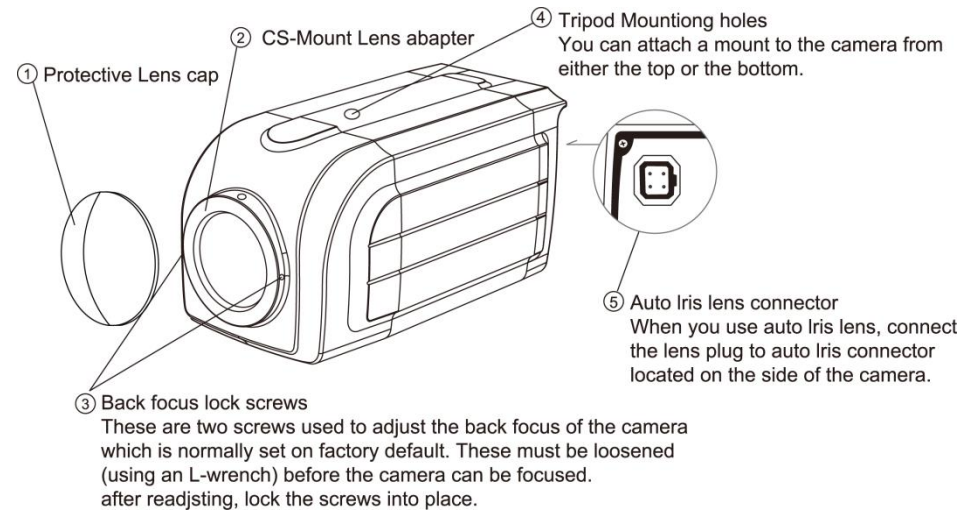




TVI + Starvis

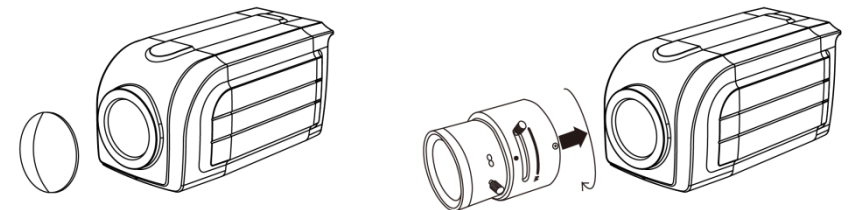
Easy Ceiling Wall indoor

Resolution	1080P, 720P
Lens	Fixed lens 3.6mm, 4mm, 6mm / V/F Lens 2.8~8mm, 2.8~12mm, 3.5~16mm
Sensor	1/2.8 inch SONY CMOS (IMX-291)
Pixels	Total : 1945(H) x 1109(V) = 2.16M / Effective : 1945(H) X 1097(V) = 2.13M
Scanning System	PROGRESSIVE
S/N (Y signal)	More than 52 dB (AGC Off)
Video Output	TVI, AHD, CVI, CVBS: 1.0Vp-p (75ohm) : Option
Min.Illumination	1 Lux at F1.2 / 0.1 Lux (B/W)
White Balance	Auto / Auto Ext / Preset / Manual
Electronic shutter speed	AUTO / MANUAL (1/30sec ~ 1/30,000sec) / FLICKER
Function	DNR / ACE / WDR / BLC / HLC / Sens_up / Privacy / Flip / Motion / Defog / RS-485 / Sharpness / Brightness
Day & Night	AUTO (Day <-> Night TIME Change) , COLOR , B/W, EXTERN
Language	ENG, CHN, CHN(S), JPN, KOR
Temperature/Humidity	Operating (-10°C~+50°C / 30%~80% RH) / Storage (-20°C~+60°C / 20%~90% RH)
Power	DC12V [AC24V / DC12V DualPower (option)]
signal Transmission	The distant difference is occurred according to cable option and other circumstances.



Installing auto Iris lens

① Remove the protective cap and attach the lens into the camera by turning it in a clockwise direction.



② Connect the lens plug to the auto Iris connector on the side of the camera.

